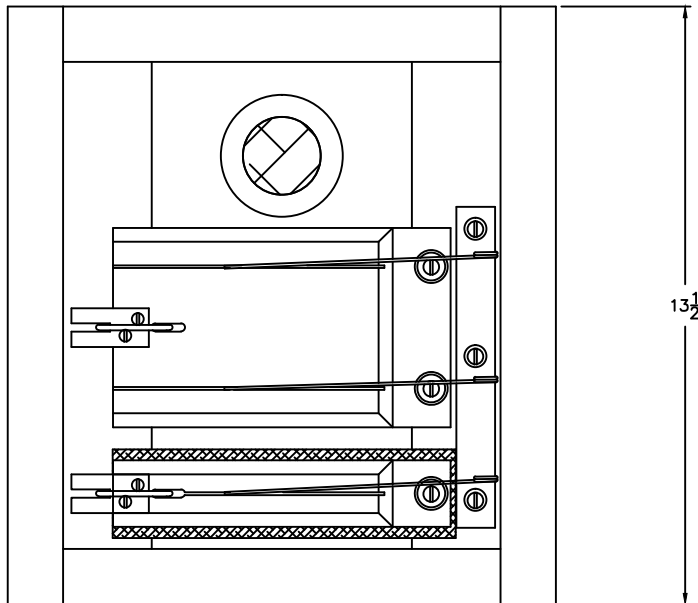
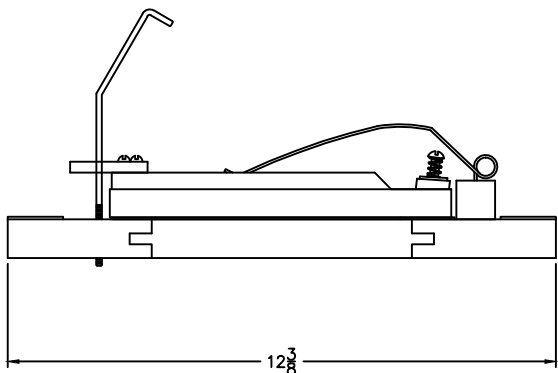


A | B | C | D | E | F | G | H | J | K

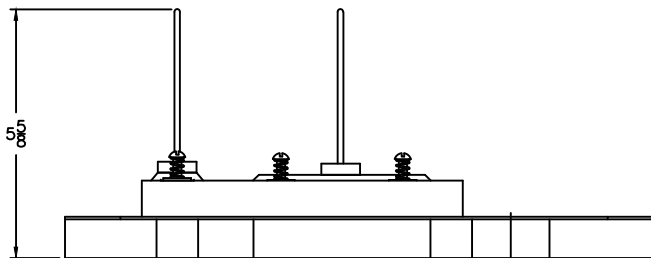
1
2
3
4
5
6
7
8



13 1/2



12 3/8



5 5/8

UNLESS OTHERWISE SPECIFIED
DIMENSIONS ARE IN INCHES
TOLERANCES
.XX ± .010
.XXX ± .005
FRACTIONS ± 1/32
ANGLES ± 1/2°
HOLES ± .005
DO NOT SCALE
READ ALL NOTES

		ORGAN SUPPLY INDUSTRIES <i>inc., erie, pa.</i>	
		NAME: WURLITZER RESERVOIR PALLET ASSEMBLY	SHEET 1 OF 1
FILE PATH: DWG/PART NO/207251		PART/DWG. NO.	REV.
MAT'L. DESCRIPTION		2072/75.40	B