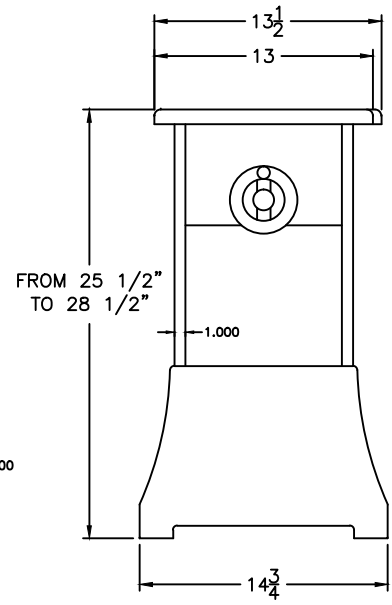
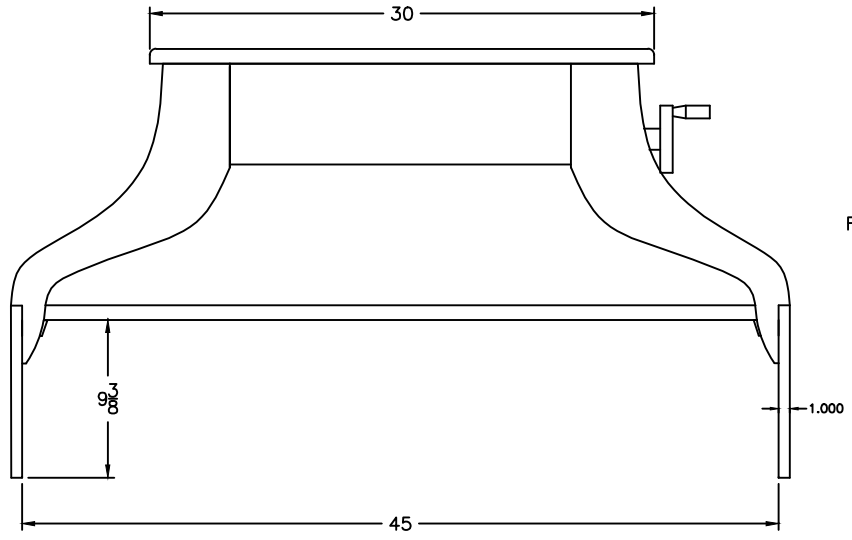
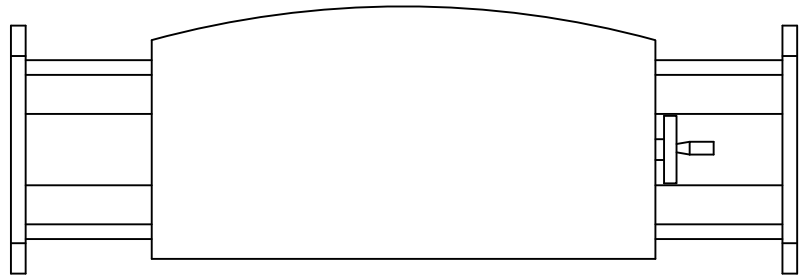


SYM	DESCRIPTION	DWN	CHK	APR	DATE
*	RELEASE FOR TOOLING	LAC			1/7/08



ITEM	PART NO.	QTY.	UNIT	DESCRIPTION
UNLESS OTHERWISE SPECIFIED				
DIMENSIONS ARE IN INCHES				
<b>ORGAN SUPPLY INDUSTRIES</b> inc., erie, pa.				
NAME:				30" GATE LEG BENCH
FILE PATH:				-
MATERIAL DESCRIPTION:				-
DO NOT SCALE READ ALL NOTES				SHEET 1 OF 1    SCALE 1=1 PART/DWG. NO. 0513.00    REV. *