

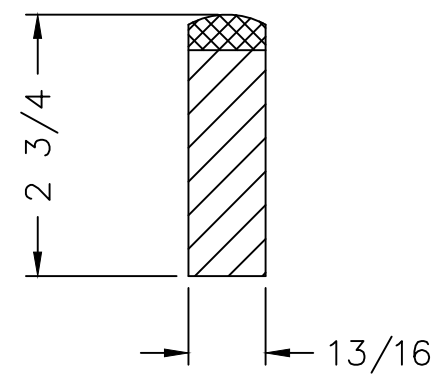
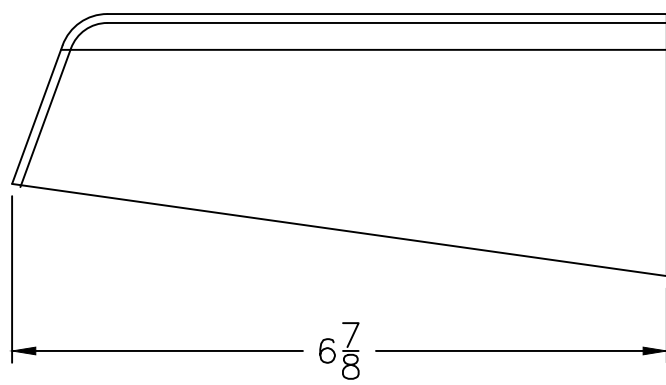
A | B | C | D | E | F

1

2

3

4



UNLESS OTHERWISE SPECIFIED DIMENSIONS ARE IN INCHES				
TOLERANCES .XX ± .010 .XXX ± .005 FRACTIONS ± 1/32 ANGLES ± 1/2° HOLES ± .005 DO NOT SCALE READ ALL NOTES				NAME: PEDAL SHARP MPM , EBONY
		FILE PATH: DWG/PART NO./031311	SHEET 1 OF 1	SCALE: .50=1
		MAT'L DESCRIPTION: MAT'L. DESCRIPTION	PART/DWG. NO. 0313.11	REV. A