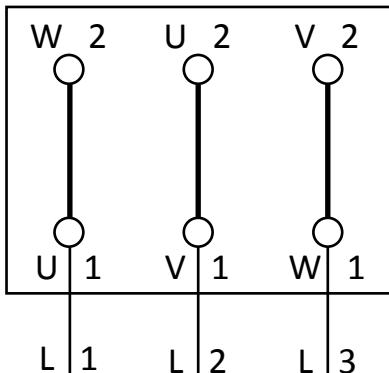


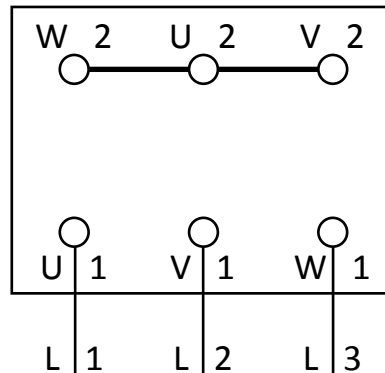
VENTUS BLOWER WIRING

CONNECTION TO 3-PHASE ALTERNATING CURRENT

120 V

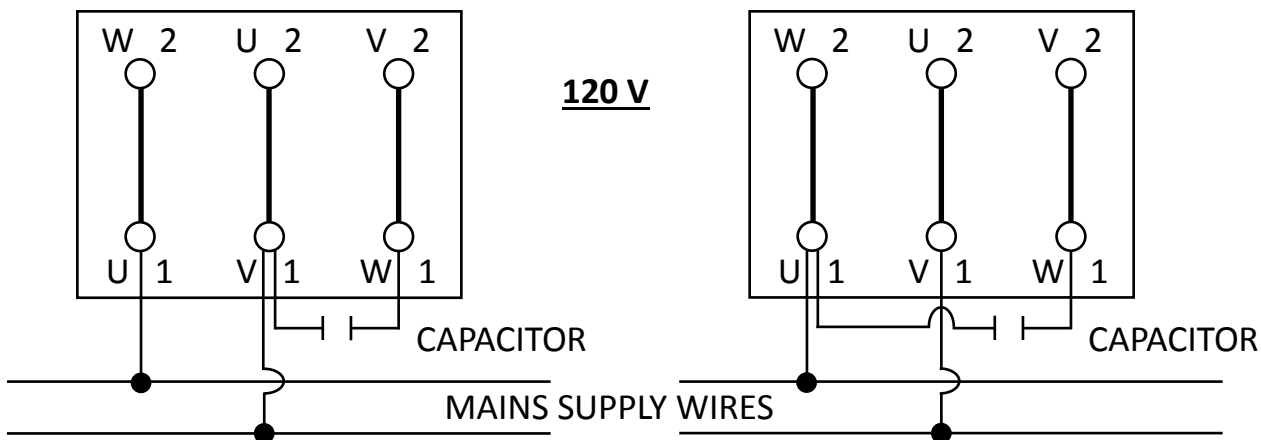


220 V

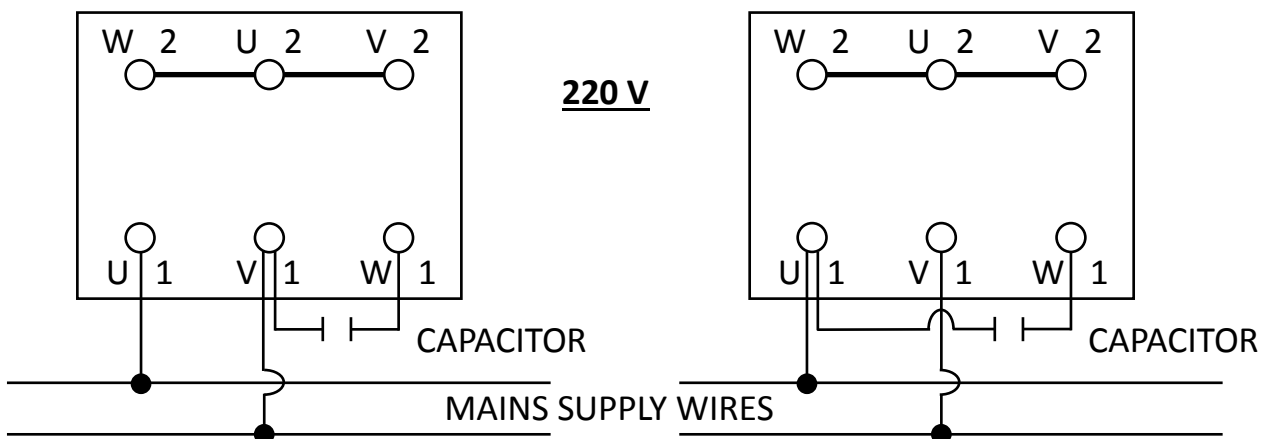


Changing the sense of rotation requires the reciprocal exchange of two supply wires.

CONNECTION TO 1-PHASE AND 2-PHASE ALTERNATING CURRENT



CHANGING THE SENSE OF ROTATION REQUIRES THE CONNECTION OF THE CAPACITOR WITH THE OTHER SUPPLY WIRE.



CAPACITORS FOR VENTUS BLOWERS

	110 VAC	120 VAC	208 VAC	220 VAC	240 VAC
0.10 HP	8-10 MFD	8-10 MFD			
0.18 HP	16 MFD	16 MFD			
0.25 HP	34-36 MFD	34-36 MFD	12 MFD	10 MFD	10 MFD
0.45 HP	50-56 MFD	50-54 MFD	16 MFD	16 MFD	14 MFD
0.75 HP	75-85 MFD	75-82 MFD	20 MFD	20 MFD	20 MFD
1.00 HP	130 MFD	120 MFD	40 MFD	35 MFD	30 MFD

OSI CAPACITORS FOR VENTUS BLOWERS

PART #	MFD
8701.04	4
8701.10	10
8701.12	12
8701.14	14
8701.16	16
8701.20	20
8701.25	25
8701.30	30
8701.35	35
8701.40	40
8701.50	50
8701.60	60
8701.80	80