

ADHESIVES

Flake Hide Glue

7010.00 Joins leather, wood, and rubber cloth. Dissolve granules in water and apply at 140°F. Infinitely dilutable. Warm water cleanup. Indefinite shelf life when stored dry. Sold by the pound dry weight.

Liquid Hide Glue

Liquid form of hide glue, ready to use cold. Infinitely dilutable. Warm water cleanup. Indefinite shelf life when stored in sealed container between 50° and 80° F. Freeze thaw stable.

Size

7020.02 Pint
7020.03 Quart
7020.00 Gallon

Fish Glue

Liquid collagen glue manufactured from fish skins. Joins leather, wood, and rubber cloth. Water clean-up. Do not thin. Not for use for outdoor or damp environments. Indefinite shelf life when stored in sealed container. Freeze thaw stable.

Size

7025.02 Pint
7025.03 Quart
7025.04 Gallon

PVC-E Adhesive

Bonds non-porous to porous surfaces (i.e. plastic to wood, metal to felt). Water cleanup. Do not thin. Freezing renders adhesive inert. Shelf life six months.

Size

7030.02 Pint
7030.03 Quart

Felt & Leather Glue

Joins felt, leather, wood, and rubber cloth. Water cleanup. Do not thin. Freezing renders adhesive inert. Shelf life one year.

Size

7040.03 Quart
7040.04 Gallon

Woodworking Glue

Joins porous surfaces, wood, fabric, paper, hardboard. Aliphatic resin. Water cleanup. Thin with water. Keep from freezing. Indefinite shelf life.

Size

7060.01 1/2 Pint
7060.03 Quart
7060.00 Gallon

Compass Springs

	Description	Leg	Wire Ø	Material
7200.01	Manual Key	1-7/8"	.040"	Steel
7200.02	Percussion	2-15/16"	.048"	Steel
7200.03	Pneumatic	3-11/16"	.034"	Steel
7200.14	Slider Chest	110 mm	1.4 mm	Steel/Electro-Plated
7200.18	Slider Chest	100 mm	1.8 mm	Brass
7200.20	Slider Chest	100 mm	2.0 mm	Brass
7200.22	Slider Chest	110 mm	2.2 mm	Brass



Coil Springs

	Description	Coil	O.A.	Coil	Wire Ø	Material
7250.01	Manual Key	7/16"	13/16"	5/16"	.030"	Steel
7250.02	Coil	13/16"	1-1/8"	3/16"	.018"	Steel
7250.03	Concussion	1-1/8"	2"	1/2"	.040"	Steel
7250.04	Swell Shutter	4"	5"	1/2"	.040"	Steel
7250.05	Swell Shutter	8"	9"	1/2"	.040"	Steel



Escutcheon Pins

Brass, available by pound and half pound. NOTE: Escutcheon pin gauges are BWG not AWG or B & S.

	Size	Diameter	Approximate Pieces/Pound
7316.01	16 x 1/4"	.065"	3100
7316.03	16 x 1/2"	.065"	1720
7316.05	16 x 3/4"	.065"	1275
7317.01	17 x 3/8"	.058"	2755
7317.07	17 x 1"	.058"	1051
7317.11	17 x 1-1/2"	.058"	784
7318.03	18 x 1/2"	.049"	2550
7318.04	18 x 5/8"	.049"	2450
7318.05	18 x 3/4"	.049"	2200
7318.07	18 x 1"	.049"	1520
7319.01	19 x 1/4"	.042"	7303
7319.03	19 x 1/2"	.042"	4130
7320.02	20 x 3/8"	.035"	8419
7320.03	20 x 1/2"	.035"	6374



Escutcheon Pins, Headless

Headless escutcheon pins used for junction boards. Sized for wire wrap tools.

	Size	Diameter	Approximate Pieces/Pound
7336.07	16 x 1"	.065"	1017
7336.13	16 x 1-3/4"	.065"	575
7336.15	16 x 2"	.065"	555
7336.17	16 x 2-1/4"	.065"	495
7336.19	16 x 2-1/2"	.065"	450



Coupling Wires

Brass, nickel plated.

	O.A. Length	Thread on Each End	B & S Gauge	Ø
7400.14	1-7/8"	1/2" - 1/2"	12	.081"
7400.18	2-1/2"	5/16" - 1-1/2"	13	.072"
7400.21	3-1/4"	3/8" - 1-1/2"	13	.072"
7400.22	3-1/2"	5/8" - 1-1/2"	13	.072"
7400.24	4"	3/8" - 2-1/2"	13	.072"
7400.26	4-1/2"	7/16" - 2-1/2"	13	.072"
7400.31	5-3/4"	1-5/8" - 3-1/4"	13	.072"



Eye Wires

Brass, nickel plated, No. 13 B & S gauge. .072" Ø

	O.A. Length	Thread
7410.08	1-5/16"	3/4"
7410.12	1-7/8"	1-1/4"
7410.16	2-1/8"	1-1/4"
7410.22	3-1/2"	2"



Pallet Wires

Brass, nickel plated. No. 13 B & S gauge. .072" Ø

	O.A. Length
7420.13	1-3/4"
7420.15	2"
7420.18	2-1/2"



Valve Wires

Brass, nickel plated, No. 13 B & S gauge. .072" Ø

	O.A. Length	Smooth End
7430.18	2-1/2"	1/2"
7430.19	2-3/4"	1/2"
7440.17	2-1/4"	3/4"
7440.18	2-1/2"	3/4"
7440.19	2-3/4"	3/4"
7440.20	3"	3/4"
7440.21	3-1/4"	3/4"
7440.22	3-1/2"	3/4"
7440.23	3-3/4"	3/4"
7440.24	4"	3/4"
7440.25	4-1/4"	3/4"
7440.26	4-1/2"	3/4"
7440.27	4-3/4"	3/4"
7440.28	5"	3/4"
7440.29	5-1/4"	3/4"
7440.30	5-1/2"	3/4"
7440.31	5-3/4"	3/4"
7440.32	6"	3/4"
7440.33	6-1/4"	3/4"
7440.34	6-1/2"	3/4"
7440.35	6-3/4"	3/4"
7440.36	7"	3/4"
7440.38	7-1/2"	3/4"



Wood Screws

Slotted steel, bright zinc chromate plated, packed 100 per box.

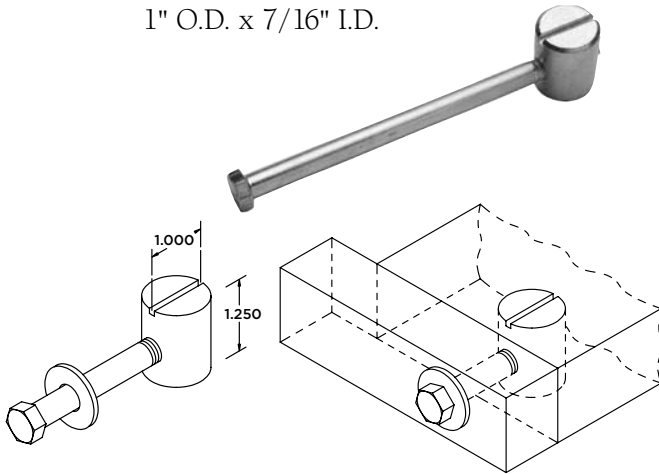
Round Head	Flat Head	Size
7502.01		2 x 1/4"
7502.02		2 x 3/8"
7502.03	7602.03	2 x 1/2"
7502.04	7602.04	2 x 5/8"
7502.05		2 x 3/4"
7503.03		3 x 1/2"
7503.04		3 x 5/8"
7504.01		4 x 1/4"
7504.03	7604.03	4 x 1/2"
7504.04	7604.04	4 x 5/8"

Round Head	Flat Head	Size
7504.05	7604.05	4 x 3/4"
7504.06		4 x 7/8"
7504.07	7604.07	4 x 1"
7504.09	7604.09	4 x 1-1/4"
7504.11	7604.11	4 x 1-1/2"
7506.04		6 x 5/8"
7506.05	7606.05	6 x 3/4"
7506.07	7606.07	6 x 1"
7506.09	7606.09	6 x 1-1/4"
7506.11	7606.11	6 x 1-1/2"
7506.13	7606.13	6 x 1-3/4"
7506.15	7606.15	6 x 2"
7506.17		6 x 2-1/2"
7508.05	7608.05	8 x 3/4"
7508.07	7608.07	8 x 1"
7508.09	7608.09	8 x 1-1/4"
7508.11	7608.11	8 x 1-1/2"
7508.13	7608.13	8 x 1-3/4"
7508.15	7608.15	8 x 2"
	7608.19	8 x 2-3/4"
7508.20	7608.20	8 x 3"
	7610.07	10 x 1"
7510.09	7610.09	10 x 1-1/4"
7510.11	7610.11	10 x 1-1/2"
7510.13	7610.13	10 x 1-3/4"
7510.15	7610.15	10 x 2"
	7610.17	10 x 2-1/4"
7510.18	7610.18	10 x 2-1/2"
7510.19	7610.19	10 x 2-3/4"
7510.20	7610.20	10 x 3"
7510.22	7610.22	10 x 3-1/2"
7510.24	7610.24	10 x 4"
7512.13	7612.13	12 x 1-3/4"
7512.15	7612.15	12 x 2"
7512.18	7612.18	12 x 2-1/2"
	7612.19	12 x 2-3/4"
7512.20	7612.20	12 x 3"
7512.22	7612.22	12 x 3-1/2"
	7612.24	12 x 4"
	7614.17	14 x 2-1/4"
	7614.18	14 x 2-1/2"
	7614.19	14 x 2-3/4"
7514.20	7614.20	14 x 3"
7514.22	7614.22	14 x 3-1/2"
7514.24		14 x 4"

Cross Dowel Connectors

Ideal for swell shade assembly, building frame, or wherever strong right angle joints are required. Fastener applies even, controlled pressure, creating a strong joint that can be quickly assembled or disassembled. Installation requires drilling one hole for bolt and one hole for cross dowel. Dowel is electro-plated steel. 1" Ø x 1-1/4" L with 3/8" - 16 cross thread.

- 7700.01** Cross dowel only
- 7700.06** 6" bolt
- 7700.08** 8" bolt
- 7700.10** 10" bolt
- 7830.06** Steel washer
1" O.D. x 7/16" I.D.



Copper Tacks

Most commonly used as spring guides for pneumatic pouches.

Size

- 7730.02** 3 x 3/8"
- 7730.03** 6 x 1/2"

Screw Eyes

Steel, zinc plated



	I.D.	O.D.	Shank	O.A.	Wire
7750.01	1/4"	25/64"	5/8"	15/16"	.070"
7750.02	3/16"	25/64"	5/8"	1"	.100"

Screw Tension Spring

Used under screw heads for toeboards, channel boards, etc. Black oxide finish.

Screw Size	Dimensions	
	O.D. x Length	
7800.06	6-8	11/32" x 3/8"
7800.10	10-12-14	7/16" x 1/2"
7800.15	16-18	5/16" x 1/2"



Cup Washers

Size of cup washer is determined by screw size. Steel, nickel plated.

Screw Size

- 7810.06** 6
- 7810.08** 8
- 7810.10** 10
- 7810.12** 12
- 7810.14** 14



Copper Washer (Burr)

Screw

Size	Burr	I.D.	O.D.	Thickness	
7820.04	4	12	.124"	.360"	.028"
7820.06	6	8	.166"	.469"	.045"
7820.08	8-10	6	.188"	.555"	.057"

Flat Washers

Size	O.D.	I.D.	Screw Size	Material
7830.01	9/16"	3/16"	8-10	Steel/Zinc Pl.
7830.02	1/2"	1/4"	10-12	Steel/Zinc Pl.
7830.03	9/16"	1/4"	10-12	Steel
7830.04	3/4"	1/4"	10-12	Steel
7830.05	1"	1/4"	10-12	Steel
7830.06	1"	7/16"	12-14	Steel

MISCELLANEOUS FASTENERS

Wood Screws, Bronze

Oval head wood screws used on exterior of finished cabinets, keyboards, and pedal keyboards.

	Size	Drive
7504.54	4 x 3/4"	Phillips
7508.57	8 x 1"	Phillips
7508.61	8 x 1-1/2"	Phillips
7510.61	10 x 1-1/2"	Phillips
7510.63	10 x 1-3/4"	Slotted
7512.72	12 x 3-1/2"	Slotted

Flush Cup Washers, Bronze

A countersunk washer prevents screw from pulling into the wood.

Screw Size

7810.54	4
7810.56	6
7810.58	8
7810.60	10



Sheet Metal Screws

Pan head Phillips screws used to mount Reisner chest and 60l magnets. Zinc chromate plated.

Size

7604.54	4 x 5/8"
----------------	----------

Threaded Inserts

Use in new construction, replacement of stripped wood screws, or replacement of WurliTzer™ inserts. Allows for convenient, efficient, and frequent removal of chest parts. Bore 3/8" hole.

.453" OD x 1/2" L

	ID	Material	Use	Drive Tool
7710.10	10-24	Brass		8246.10
7710.12	10-32	Brass		8246.10
7710.16	12-24	Plated Steel	WurliTzer™	8246.10
7710.20	1/4-20	Brass		8246.16



Threaded Insert Drive Tools

Recommended for installation of threaded inserts, these drive tools provide more positive engagement and efficient installation of inserts. Fits standard hex socket, most screw guns, or can be chucked in reversible drill.

	Insert Sizes	L
8246.10	10-24 & 10-32 & 12-24	1-7/8"
8246.16	1/4-20	1-15/16"



TRACKER PARTS

Aluminum Wires

	Dia.	Length
7916.16	1.65 mm	1.83 M or 6'
7916.20	2.00 mm	1.83 M or 6'

Ring Terminals

Aluminum, hex or Allen head set screw.
7 mm O.D. 2.5 mm I.D.

	Type	Set Screw
7917.01	Plain	Hex head
7917.11	Plain	Allen
7917.02	Adjustable	Hex head
7917.12	Adjustable	Allen
7917.51	Hex head set screws	
7917.52	Allen set screws	



Connector Terminal

7918.00 For connecting pull-down wires.

4.5 mm O.D. x 3 mm I.D. x
15 mm long



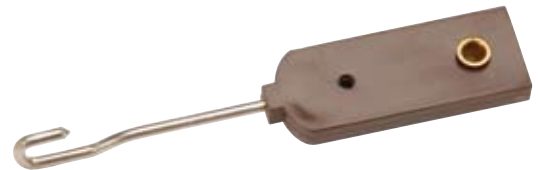
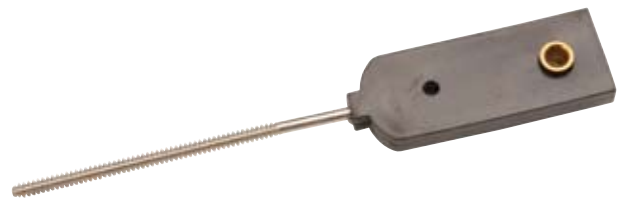
Tracker Material

7920.00 Basswood, custom-made. Provide sample or specify cross section and lengths required.

Tracker Tops

Supplied with tubular rivets, wire.
1.65 mm

	Color	Size	End
7922.01	Black	1/16" x 5/16"	Threaded
7922.02	Brown	1/16" x 5/16"	Plain
7922.03	Black	1/16" x 7/16"	Threaded
7922.04	Brown	1/16" x 7/16"	Plain
7922.05	Brown	1/16" x 7/16"	Hook
7922.09	Tracker Top Rivet		



Tracker Wires

	Length	Dia.	Thread	Bend	Material
7924.01	80 mm	1.65 mm	–	10 mm	Nickel Plated Brass
7924.02	95 mm	1.8 mm	50 mm	4 mm	Brass



Wire Ends

Plated brass, 1.65 mm end. 1.65 mm I.D. sleeve.

End

- 7926.01 Straight, plain
- 7926.02 Bent for brown button



Tracker Connector

- 7928.00 Plated brass with steel axle and brown plastic buttons. For bridging and coupling long horizontal tracker runs.

60 mm L x 20 mm W x 1.3 mm T



Axle Holders & Hangers

Plated spring brass.

	Length	Width	Height	Other
--	--------	-------	--------	-------

7930.01	26 mm	10 mm	19 mm	2 mounting holes
----------------	-------	-------	-------	------------------



7930.02	55 mm	10 mm	9 mm	For oblique mounting
----------------	-------	-------	------	----------------------



7932.00	22 mm	10 mm	—	Ring terminal attached
----------------	-------	-------	---	------------------------



Axle

7934.00 Hardened stainless steel.

9 mm L x 1.8 mm Ø



Squares

Aluminum, 50 mm arms. Order plastic buttons and axle holders separately.

Axle	Arms
------	------

7935.01	4" x 1-1/4" RH Screw	Straight
----------------	----------------------	----------



7935.02	Steel	Straight
7935.03	Steel	Turned/Straight
7935.04	Steel	Turned



Plastic Buttons

Brown buttons for plain wires, black buttons for threaded wires. For square arms, roller brackets, tracker connectors, etc.

Color	I.D.
-------	------

7938.01	Brown	1.65 mm
7938.02	Black	2.5 mm



Wood Tracker Squares

Bored or bushed for 1.65 mm wire,
59 mm leg.

	Kind	Axle Holder
7940.01	Horizontal	1-1/2"
7940.02	Horizontal	2-1/4"



7940.03	Vertical	1-1/2"
7940.04	Vertical	2-1/4"



Wood Axle Holders

Birch.

1/2" W x 5/16" H

Length

7945.01	1-1/2"
7945.02	2-1/4"



Aluminum Rollers

For use with 7960.02 and 7960.03
bearing inserts.

	I.D.	O.D.	Length	Maximum Unsupported Length
7950.08	6 mm	8 mm	6' only	70 cm
7950.10	6 mm	9.5 mm	6' only	110 cm



Roller Bracket

Tinned brass.

26 mm L x 11 mm W,
13 mm base to axle.



- 7955.01** Brown Plastic Button
- 7955.02** Roller Bracket w/axle screw
- 7955.03** Wood, with cloth bushing.
Use with 7960.03. Tip 5/16" Ø.

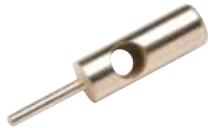


Bearing Inserts

7960.02 Use with 7955.01 bracket and 7950.08 and 7950.10 aluminum rollers as center support on long rollers.



7960.03 Use with 7965.01 and 7965.03 roller arms, 7950.08 and 7950.10 aluminum rollers, 7955.03 roller bracket.



Roller Arms

Aluminum. Order plastic buttons separately.

	Length O.A.	End	Use With
--	----------------	-----	-------------

7965.01 59 mm 5 mm thread 7960.03



7965.02 64 mm 15 mm plain



7965.03 60 mm 5 mm thread 7932.00 & 7960.03



Pull-Down Wire

7970.00 Aluminum.

150 mm long, 1.65 mm Ø



Lead Discs

7972.00 Use with 7970.00, with felt and leather punching attached. 20 mm Ø

7972.51 Plain, without felt and leather.



Brass Pull-Down Disc

7973.00 Brass.

1/2" O.D., .045" I.D., .025" T

Plastic Socket

For pull-down seals in slider windchest.

Color	O.D.	I.D.
-------	------	------

7974.01 Lt. Brown 7.5 mm 1.9 mm

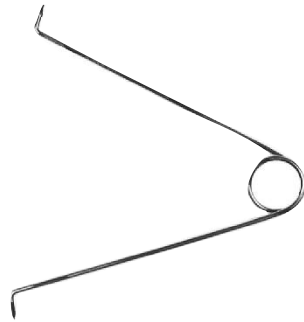
7974.02 Dk. Brown 7.5 mm 2.7 mm



Compass Springs

For slider chest pallets.

	Wire Dia.	Leg	Material
7200.14	1.4 mm	110 mm	Steel, electro-plated
7200.18	1.8 mm	100 mm	Spring brass
7200.20	2.0 mm	100 mm	Spring brass
7200.22	2.2 mm	110 mm	Spring brass



Pull-Down Links

20 mm long x 10 mm wide, hole centers 10 mm.

Material

7978.01	Stretched leather
7978.02	Fibre



Screw Eye

7750.01	For pallet valves. 24 mm long, 12.7 mm shank, 2 mm wire
----------------	---



Pallet Guide Pin

12 ga. brass, electro-plated.

	Length	Used	Pcs. Per Lb.
7980.01	2" Headless	Front/rear	187



Pallet Tubing Nipples

Convenient way to install rubber tubing

	Dimension	Length
7980.20	3/8" O.D.	1"
7980.21	1/2" O.D.	1"

Pallet Guide Pins, Threaded

2.5 mm Ø, thread length 10 mm.

	Length
7982.01	50 mm
7982.02	70 mm



Slider Material

7984.00	1/16" natural phenolic, sheet size 48" wide x 120" long. Can be cut to specified width by 120" long. 6 ft. lengths shipped by UPS, 10 ft. lengths shipped by truck.
----------------	---

Telescopic Sleeves

Black plastic with 1mm wall. Flanged top and bottom with steel spring between movable flanges. Use with 7988.00 seal rings. Install with PVC-E adhesive, 7030.02.

16mm Extended Height

	I.D.	O.D.
7986.07	7 mm	20 mm
7986.10	10 mm	22 mm
7986.12	12 mm	26 mm
7986.15	15 mm	28 mm
7986.17	17 mm	30 mm
7986.19	19 mm	33 mm
7986.21	21 mm	40 mm
7986.25	25 mm	42 mm
7986.28	28 mm	42 mm



Teflon Seal Rings

Mounted as stand-offs on opposite side of slider from telescopic sleeves. Teflon impregnated fiberglass, with self-adhesive or plain backing. Use PVC-E adhesive 7030.02 with plain backing.

I.D.	O.D.	Backing	Use With Sleeves	
7988.12	SELF-ADHESIVE TEFLON SEAL RINGS HAVE BEEN DISCONTINUED		7986.07, 7986.10, 7986.12	
7988.17			7986.15, 7986.17	
7988.22			7986.19, 7986.21	
7988.28			7986.25, 7986.28	
7989.30				
7989.31				
7989.32				
7988.32	12 mm	22 mm	Plain	7986.07, 7986.10, 7986.12
7988.37	17 mm	28 mm	Plain	7986.15, 7986.17
7988.42	22 mm	32 mm	Plain	7986.19, 7986.21
7988.48	28 mm	44 mm	Plain	7986.25, 7986.28
7989.40	5 mm x 27.5 mm	18 mm x 41 mm	Plain	
7989.41	9 mm x 27.5 mm	22 mm x 41 mm	Plain	
7989.42	15 mm x 33.5 mm	28 mm x 47 mm	Plain	



Ball Joints

- 7990.00** Female with stud in permanently lubricated bearing, 1/4-28 threads.



- 7991.00** Plain female end bearing, .250"-.252" I.D., 1/4-28 threads.



- 7992.00** Spring-loaded female stud, 1/4-28 threads, for zero end play.



- 7993.00** One male/one female, 1/4-20 threads.



- 7994.00** 5/16" hole with set screw. 1/4-20 thread, with nut and washer. 5/16-24 adjusting screw. Use with 7995.01 and 7995.02.



Threaded Rods

Use with ball joints for swimmers, swell shutter linkage and many other applications.

- 7997.20** 1/4-20 x 3'
7997.28 1/4-28 x 3'

Crank Arms

With collar and 2 set screws, slotted arm.

Working Radius	Shaft Ø
----------------	---------

- | | | |
|----------------|----------------|------|
| 7995.01 | 3/4" to 3-1/8" | 1/2" |
| 7995.11 | 3/4" to 3-1/8" | 3/8" |



- | | | |
|----------------|----------------|------|
| 7995.02 | 3/4" to 4-5/8" | 1/2" |
|----------------|----------------|------|

